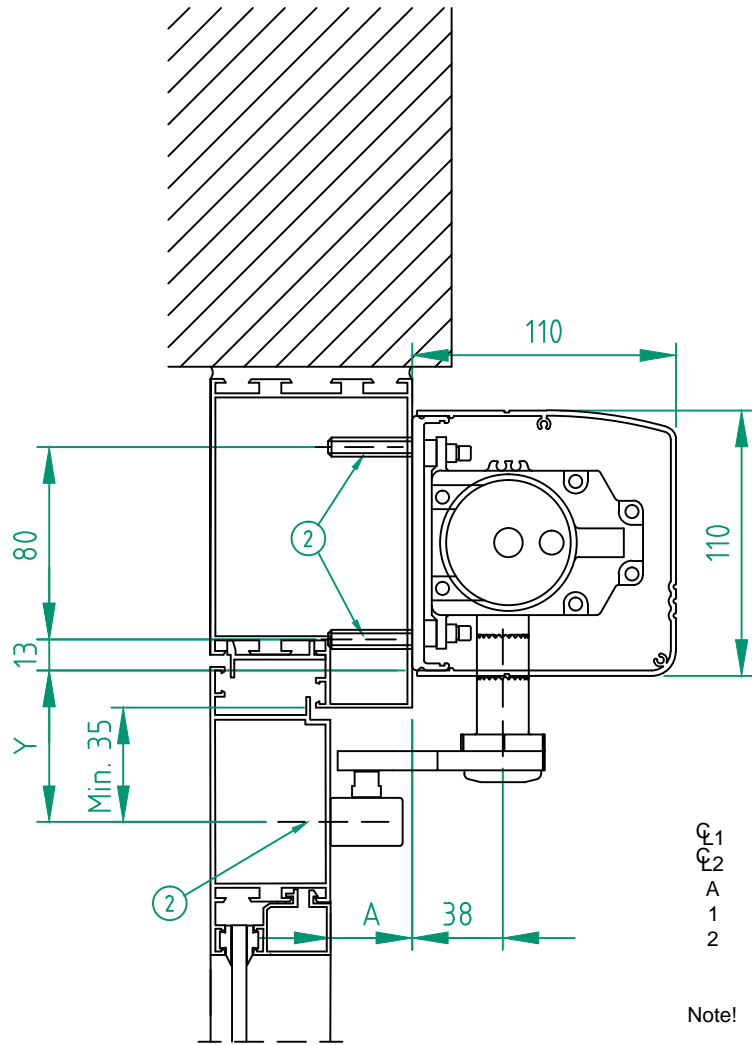
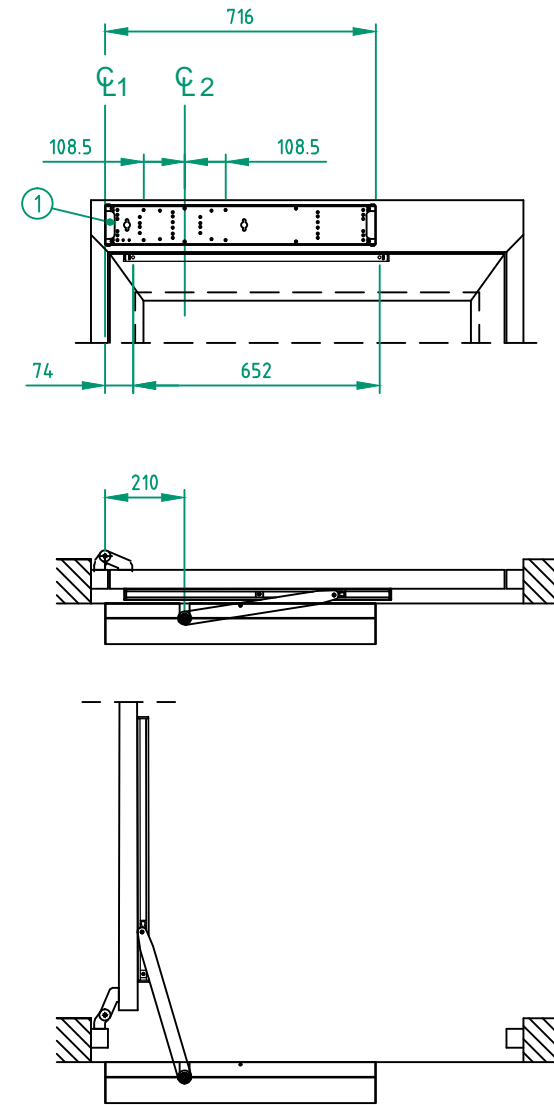


© All rights in and to this material are the sole property of Entrematic AB. Copying, scanning, alterations or modifications are expressly forbidden without the prior written consent of Entrematic AB. Rights reserved for changes without prior notice.



- Ø1 Hinges
- Ø2 Operator drive shaft
- A Reveal max. 50mm
- 1 Cable inlet
- 2 Reinforcements required in door leaf and at fixing holes

Note! Max. door leaf width 1200mm
Max. door leaf weight 120kg



Customer:

Ref:

Door id:

Date:

Project No:

Sign:

EM EMSW
Arm system PULL (as pushing)

ENTRE/MATIC

Swing door operator

6.0 173780-EME1