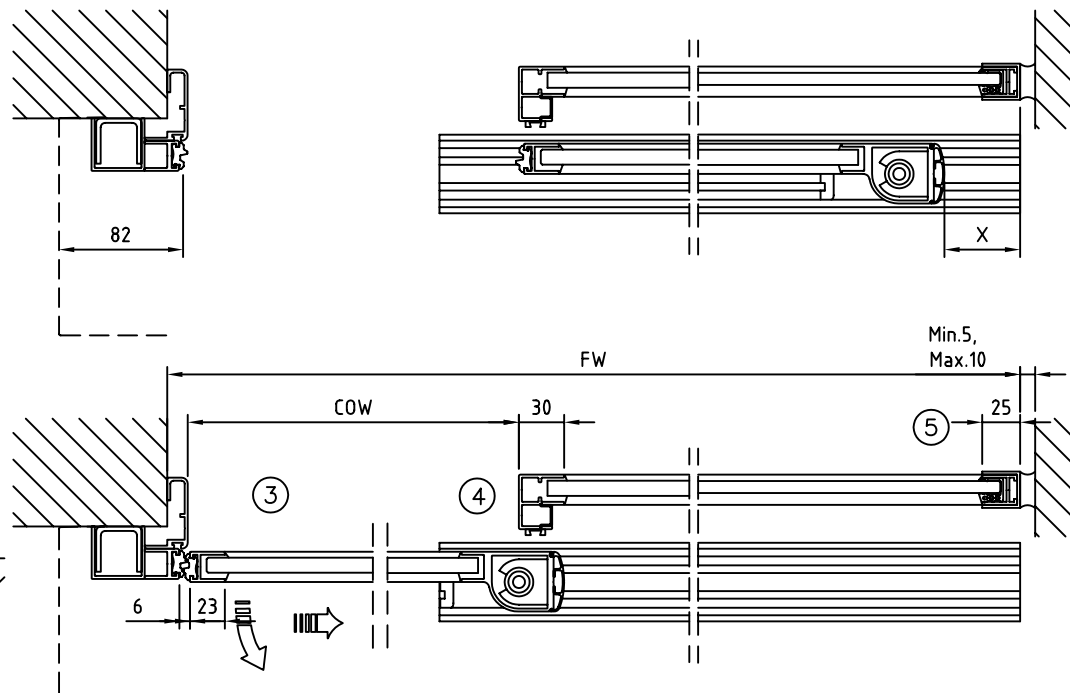


Inside



- FW= Frame width  
Min. 1894 / max. 3000  
FW=2COW+45+X
- FH= Frame height  
Min. 2000 / max. 2500
- X= Distance to avoid finger trap (50 mm)
- COW= Clear opening width  
COW=(FW-45-X)/2
- COH= Clear opening height  
COH=FH-25
- CL= Cover length

State when ordering

- FW=.....mm
- FH=.....mm
- X=.....mm
- COW=.....mm
- COH=.....mm
- Cover
- CL=.....mm

Surface treatment

- Silver anodized
- Special anodized.....
- RAL.....
- Special powder coating.....
- .....

Glass

- 8 mm laminated glass
- 10 mm laminated glass
- 12 mm laminated glass
- 8 mm tempered glass
- 10 mm tempered glass

Lock

- Floor lock Euro 1-way
- Floor lock Euro 2-way

Scale 1:5

Customer: \_\_\_\_\_

Door id: \_\_\_\_\_

Project No: \_\_\_\_\_

EntreMatic ref: \_\_\_\_\_

Date: \_\_\_\_\_

Sign: \_\_\_\_\_

**Profile system**  
**EMPS-SRB with EMSL**  
**2 Panel wall mounted right**

**ENTRE MATIC**

2 1000044