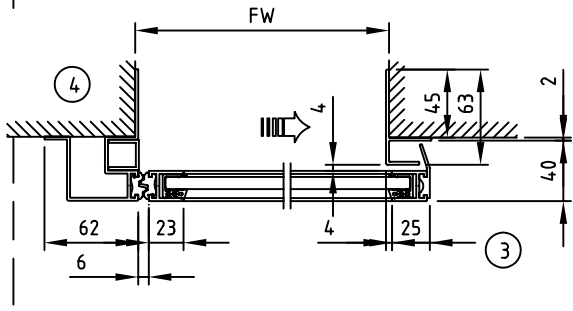
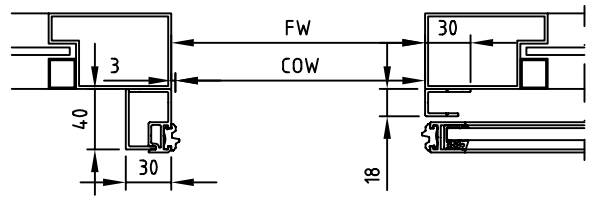


Alt. F



Alt. U



FW= Frame width
Min. 900 / max. 1500
Alt. F FW=COW+7
Alt. U FW=COW+3

FH= Frame height
Min. 1900 / max. 3000

COW= Clear opening width
Alt. F COW=FW-7
Alt. U COW=FW-3

COH= Clear opening height
COH=FH

CL= Cover length

State when ordering
FW=.....mm
FH=.....mm
COW=.....mm
COH=.....mm
 Cover
CL=.....mm

Alt. F (concrete/brick)
 Alt. U (aluminium/steel)

Surface treatment
 Silver anodized
Special anodized.....
RAL.....
Special powder coating.....
.....

Glass
 8 mm laminated glass
 10 mm laminated glass
 12 mm laminated glass
 8 mm tempered glass
 10 mm tempered glass

Lock
 Floor lock Euro 1-way
 Floor lock Euro 2-way

Scale 1:5

Customer: _____

Door id: _____

Project No: _____

EntreMatic ref: _____

Date: _____

Sign: _____

Profile system
EMPS with EMSL
1 Panel wall mounted opening right

ENTRE MATIC

2 832995